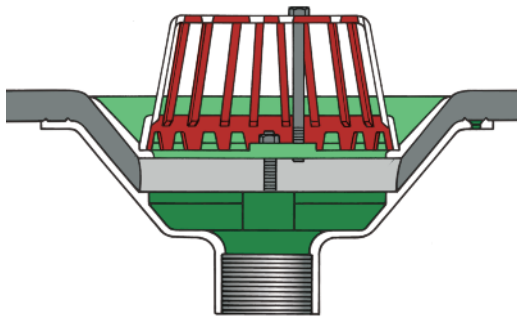
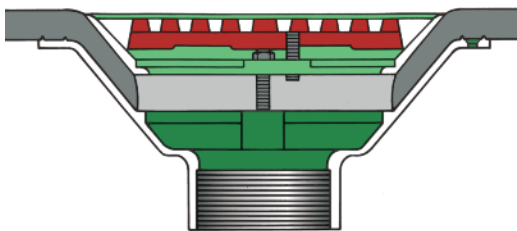


# Roof Outlets

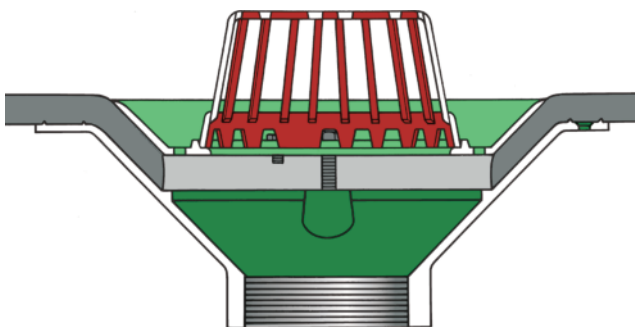
## Vertical Threaded Outlets



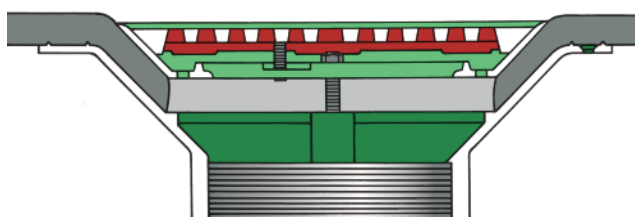
**50mm Vertical Threaded**  
(Shown with domical grate) Code 50/VT



**75mm Vertical Threaded**  
(Shown with flat grate) Code 75/VT/F



**100mm Vertical Threaded**  
(Shown with domical grate) Code 100/VT



**150mm Vertical Threaded**  
(Shown with flat grate) Code 150/VT/F

All drawings above are shown 1:5 scale



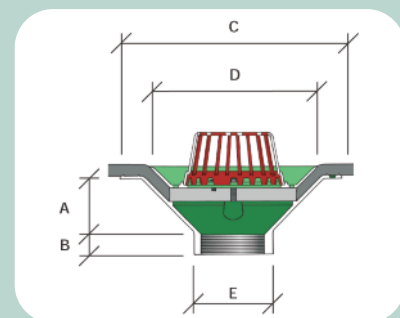
**Caroflow** Vertical Threaded roof outlets are available in either LM6 Aluminium Silicon casting alloy to BS EN 1706:2010 for most roof finishes or in leaded gunmetal to BS EN 1982:2008 for use with lead or copper-clad roofs or for connection to copper pipework. They are female parallel threaded to BS21:1985. Foamed insulation coating can be applied to both aluminium and gunmetal vertical threaded outlets for "warm-roof" installation.

**Performance and Connections** see page 19.

Suitable for connection to:

- Screw Threaded Steel
- Copper (Gunmetal only)
- PVC\*
- Aluminium\*
- Cast Iron\*

(\*with CAROFLOW Threaded adaptors see page 17)



Order Code	50/VT	75/VT	100/VT	150/VT
Pipe size (nom)	50	75	100	150
A	75	75	90	70
B	50	50	45	45
C	300	300	380	380
D	250	250	305	305
E	70	105	134	185

### Example specification

100mm nominal bore CAROFLOW Vertical Threaded aluminium (or leaded gunmetal) rainwater outlet with domical grating Code 100/VT (100/VT/F for flat grate option) as manufactured by Caroflow Limited  
Tel: 01763 244446.