

Roof Outlets

Two Way Outlets

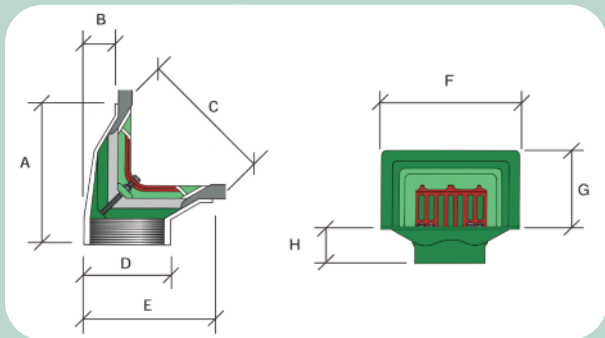


Caroflow Two Way Threaded roof outlets are designed for use at the intersection of horizontal and vertical surfaces, i.e. a balcony and parapet wall, and can be used to drain off vertically or horizontally. Available in either LM6 Aluminium Silicon casting alloy to BS EN 1706:2010 for most roof finishes or in leaded gunmetal to BS EN 1982:2008 for use with lead or copper-clad roofs or for connection to copper pipework. They are female parallel threaded to BS21:1985

Performance and Connections see page 19.

Suitable for connection to:

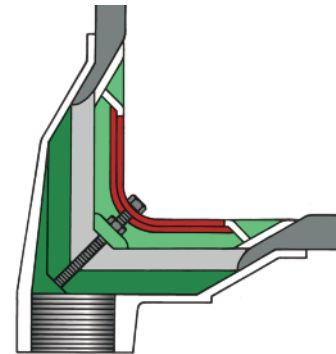
- Screw Threaded Steel
- PVC (with Caroflow Threaded adaptors see page 17)
- Aluminium (with Caroflow Threaded adaptors see page 17)
- Cast Iron (with Caroflow Threaded adaptors see page 17)
- Copper (Gunmetal only)



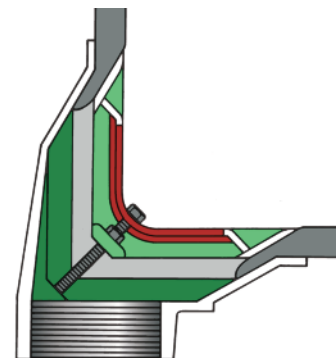
Order Code	50/TW	75/TW	100/TW	150/TW
Pipe size (nom)	50	75	100	150
A	213	213	213	278
B	50	50	50	50
C	202	202	202	290
D	76	105	130	181
E	193	193	193	250
F	255	255	255	316
G	143	143	143	200
H	70	70	70	73

Example specification

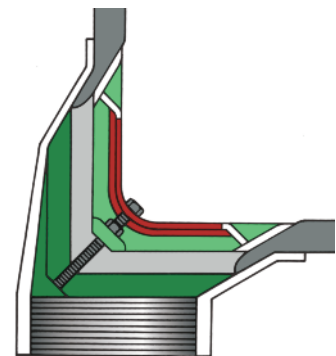
100mm nominal bore CAROFLOW Two-Way Threaded aluminium (or leaded gunmetal) rainwater outlet Code 100/TW, as manufactured by Caroflow Limited
Tel: 01763 244446.



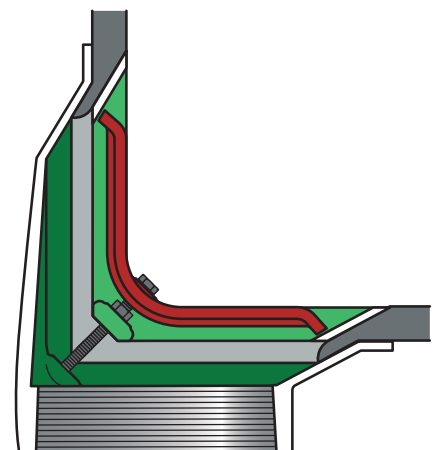
50mm Two Way
Code 50/TW



75mm Two Way
Code 75/TW



100mm Two Way
Code 100/TW



150mm Two Way
Code 150/TW

All drawings above are shown 1:5 scale