

permaban ALPHAJOINT®

The classic joint armouring and load transfer formwork system.

AlphaJoint® Classic 4010

AlphaJoint is the 'industry standard' leave-in-place armoured joint formwork. It has been chosen for thousands of projects worldwide over many years, thanks to its heavy-duty performance, strength, versatility and ease of installation.

Unique styles

Although a true classic, AlphaJoint continues to develop.

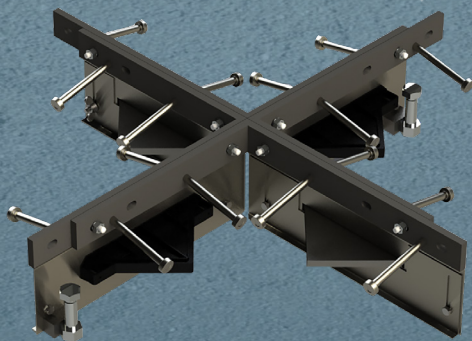
For slabs of 150-200mm, AlphaJoint® now comes with a cleverly designed universal divider plate (pictured right). With preset positions, the joint can easily be set to multiple heights on site. So, conveniently, the same product can be used for different slab depths.

For slabs of 250mm and more continuous concrete ties provide additional strength.

All other sizes are supplied with our classic rigid steel divider plate.

AlphaJoint® CSS

Named for the C-shaped profile of the stainless steel top strip, AlphaJoint® CSS has radiused internal corners to help vehicles pass over the joint with minimal impact. Resistant to chemicals, it retains its smart appearance even under a stringent cleaning regime.



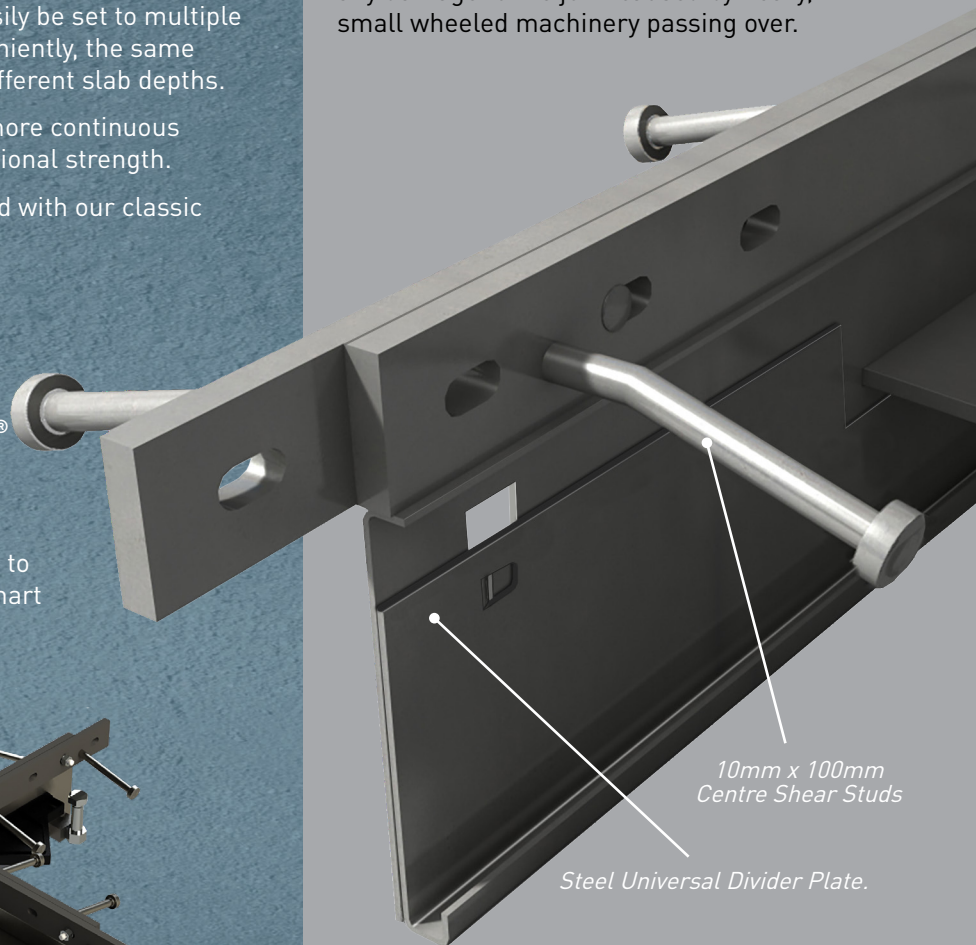
4 - Way Intersection

Accessories

AlphaJoint® has a helpful range of accessories, making it even more versatile on site. These include 4-Way Intersections, Dock Leveller and Corner Units, ensuring that all vulnerable areas are well protected. An easy installation system, AlphaFix, is also available.

Dowels

Dowels are a vital part of any joint system, to provide efficient load transfer across the slab. Our dowels, available separately, each have a tight-fitting plastic sleeve to stop vertical movement across the joint. This minimises any damage to the joint caused by heavy, small wheeled machinery passing over.



RCR Flooring Products is the organisation behind some of the world's best known industrial flooring brands.

We design, manufacture and supply a wide range of products used in the creation of industrial floors, including Rinol resin coating systems, Permaban armoured joints, and Roeland floor surface hardeners.

The three brands are united by a commitment to product excellence, customer support and worldwide service.

Our products have been used in factories and distribution centres for many of the world's leading companies, and are trusted by engineers, architects and contractors.

Our clients include:

B&Q WICKES TESCO ROYAL MAIL PROLOGIS GOODMAN GAZELEY
FOCUS CASTORAMA GOLDBECK HOMEBASE SELCO
BIG YELLOW SELF STORAGE ALDI ALLIED BAKERIES LIDL IKEA
MORRISONS SAINSBURY'S PNK RUSSIA RADIUS GROUP RUSSIA

RCR Flooring Products is the manufacturing division of RCR Industrial Flooring, an international group offering integrated floor services from design to construction and maintenance.

Permaban joints are manufactured by RCR Flooring Products Ltd, which operates under the disciplines of ISO 9001:2015, ISO14001:2015 and ISO45001: 2018.

Please contact us for further technical information, health & safety guidance, installation instructions and specification advice, or visit the Permaban website.



RCR Flooring Products Ltd. Mill Close, Lee Mill Industrial Estate, Ivybridge, Devon PL21 9GL
Tel: +44 1752 895288 Fax: +44 1752 395800 Email: sales@rcrflooringproducts.com

www.permaban.com

